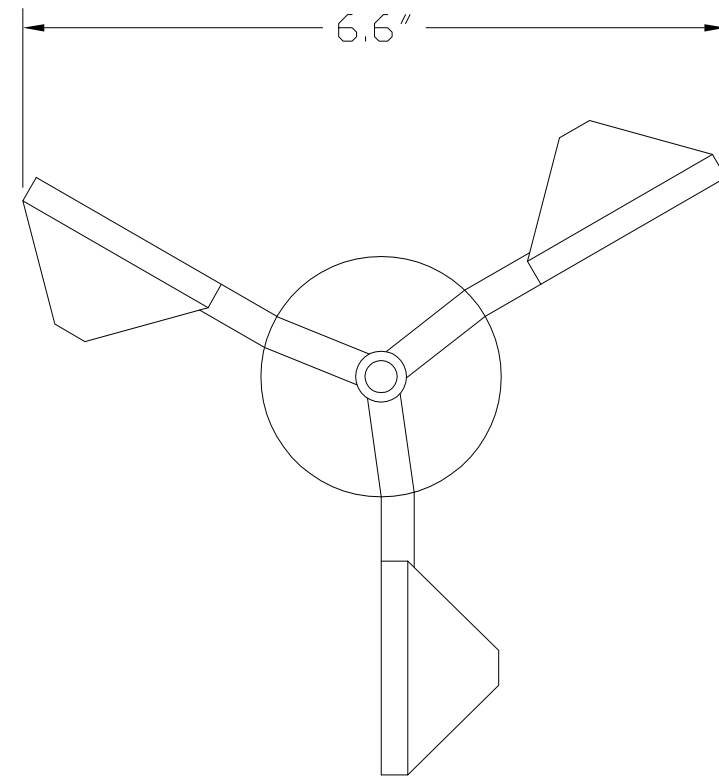
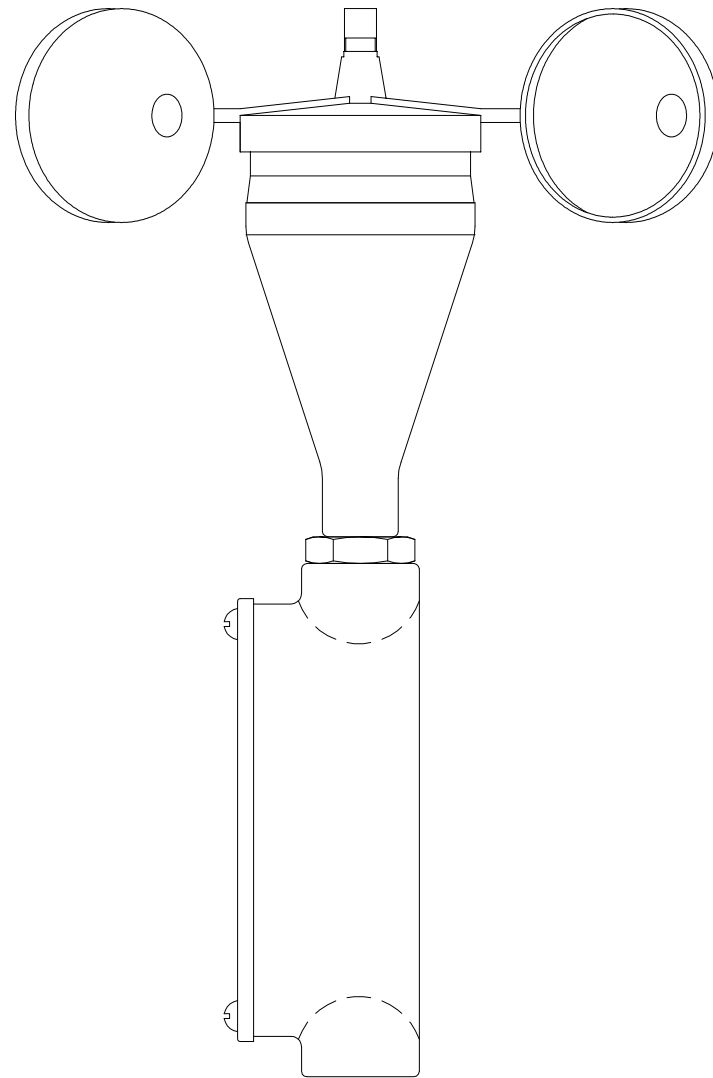
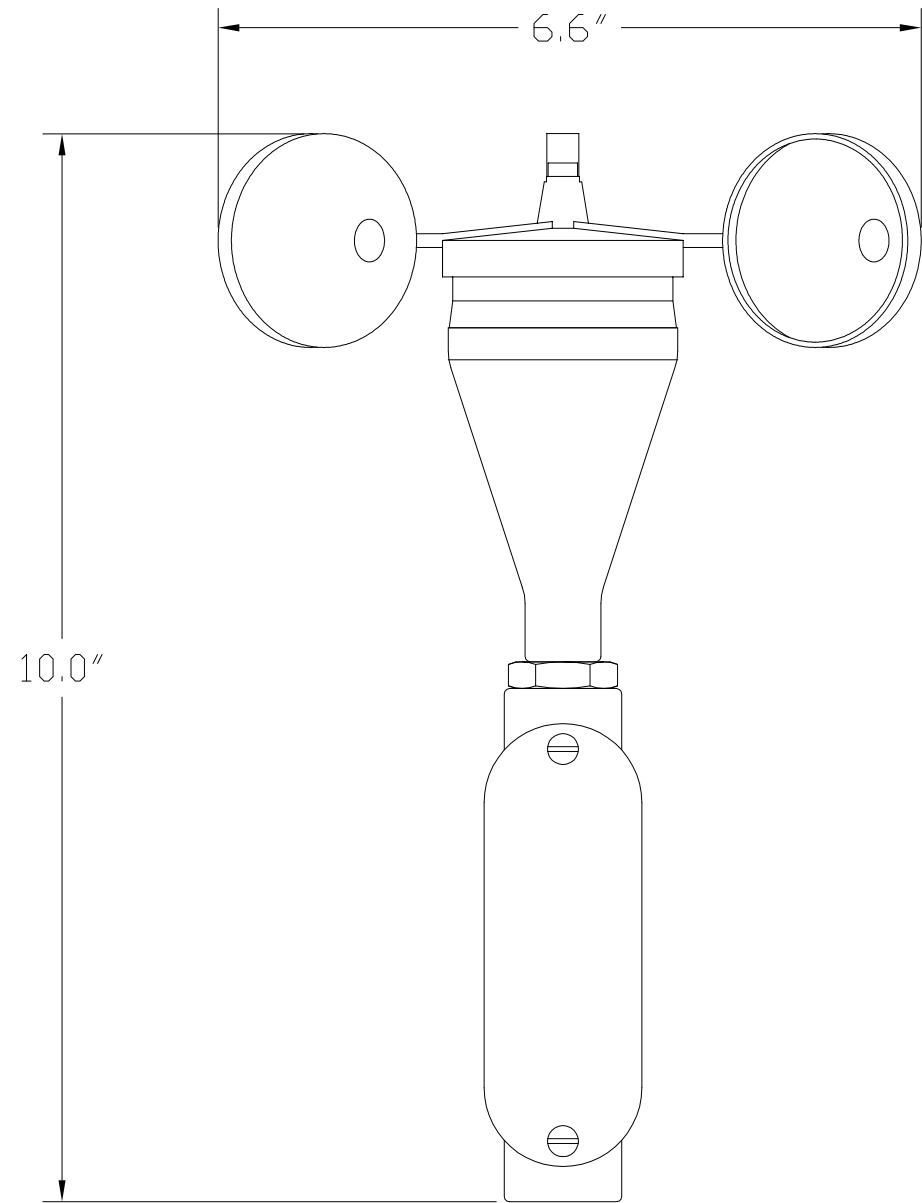


8 7 6 5 4 3 2 1

D

D



C

C

B

B

A

A

NO.	REVISION DESCRIPTION	REV BY	CHK BY	APP. BY	DATE
D	PEM STUD ADDITION	S Mc.			01/23/15

SOUTH COAST CONTROLS

8065 East Crystal Drive
ANAHEIM, CA 92807
PHONE (714) 998-5656
FAX (714) 998-6565
WWW.SOUTHCOASTCONTROLS.COM



DR. SDM	I.D. NO.:
DSGN.	PROJECT NO.
CK.	DWG. SCALE
AP.	PLOT SCALE
DATE 01/23/17	
SCC Ser. WR10JA000-FB	SHEET 2 OF 2

CUSTOMER:	SOUTH COAST CONTROLS	
TITLE:	WINDRANGER ANEMOMETER WITH JUNCTION BOX.	
DWG. No.	WR10JA000-AN-M15	REV. No. H

-CONFIDENTIAL-
NOT TO BE DISCLOSED, USED OR DUPLICATED EXCEPT AS AUTHORIZED IN WRITING BY SOUTH COAST CONTROLS

8 7 6 5 4 3 2 1