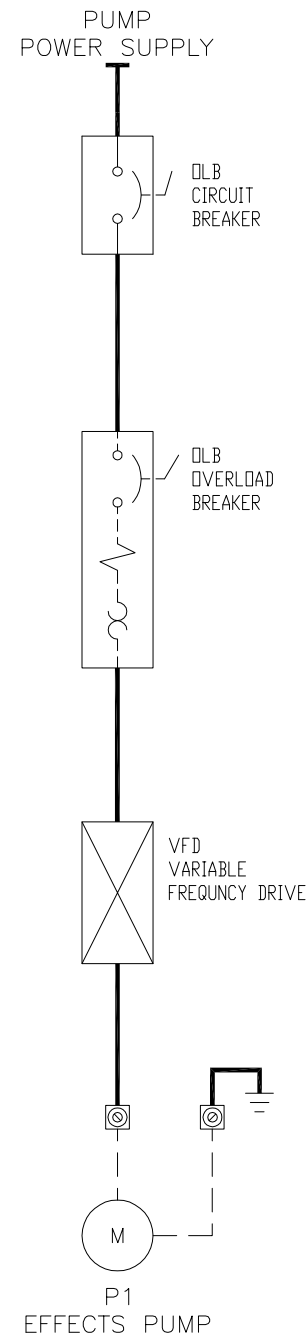
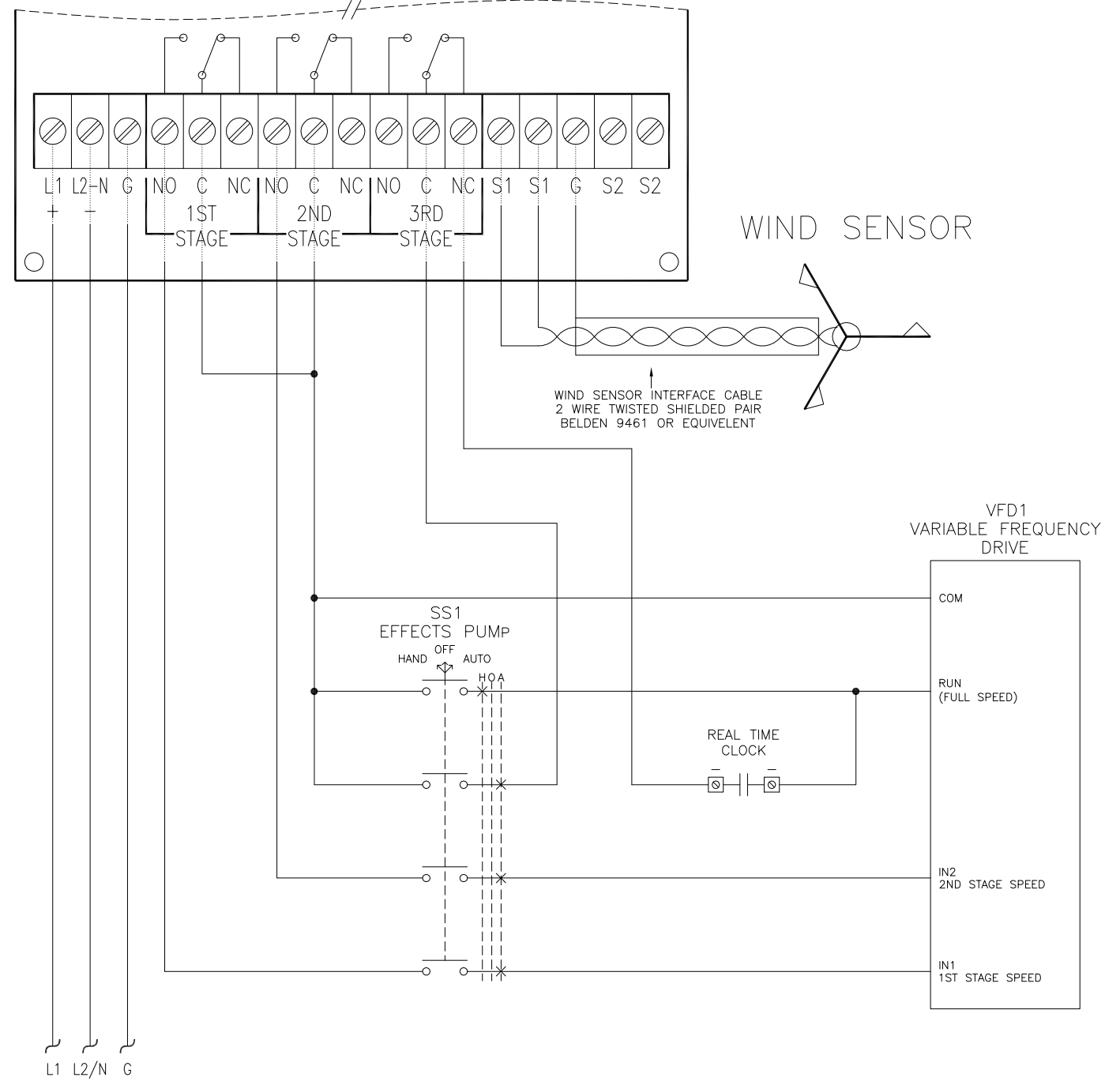


### TYPICAL PUMP CIRCUIT



### TYPICAL WIND RANGER CONNECTION

THE OUTPUT RELAYS OF THE WIND RANGER ARE INTENDED TO BE USED AS A CONTROL SIGNAL. AS SHOWN IN THE SCHEMATIC THE USE OF A MOTOR CONTACTOR, OR WHAT IS COMMONLY KNOWN AS A "STARTER", IS HIGHLY RECOMMENDED.



WIND RANGER POWER INPUT 120/240 AC 50/60 Hz 1 AMP MAX.

**CIRCUIT FUNCTION:**

1. WHEN SS1 IS IN THE 'HAND' POSITION THE PUMP MOTOR IS ENERGIZED BYPASSING THE REAL TIME CLOCK AND WIND RANGER LOGIC FUNCTIONS.
2. WHEN SS1 IS IN THE 'OFF' POSITION THE PUMP MOTOR IS DE-ENERGIZED.
3. WHEN SS1 IS IN THE 'AUTO' POSITION THE PUMP MOTOR IS ENERGIZED IF THE TIME CLOCK AND THE WIND RANGER FUNCTIONS LOGIC ALLOW IT.

NO.	REVISION DESCRIPTION	REV BY	CHK BY	APP. BY	DATE

**WIND RANGER**

8065 East Crystal Drive  
ANAHEIM, CA 92807  
PHONE (714) 998-5656  
FAX (714) 998-6565  
WWW.WINDRANGERS.COM

UL LISTED CONTROL PANELS  
FABRICATED BY  
**SOUTH COAST CONTROLS**  
(714) 998-5656  
UL FILE #E122361

DR. SDM	I.D. NO.: -
DSGN.	PROJECT NO. -
CK.	DWG. SCALE -
AP.	PLOT SCALE
DATE 01/23/2017	
SCC Ser. WR10JA000-ECD	SHEET 1 OF 1

CUSTOMER:	-
TITLE:	WIND RANGER THREE STAGE UNIT HOA EXAMPLER CONNECTION DIAGRAM
DWG. No.	WR10JA000-ECD3.0
REV. No.	C

—CONFIDENTIAL—  
NOT TO BE DISCLOSED, USED OR DUPLICATED  
EXCEPT AS AUTHORIZED IN WRITING BY SOUTH COAST CONTROLS